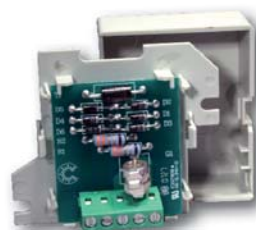


# 1, 2 and 4-pair Surge Protection Boxes

## B180, B280, B480



**B480**



**B180**

The B180, B280 and B480 units are designed to protect, against surge voltages, terminals connected to telephone or data networks. The electrical diagram is based on GDT and clamping diodes to guarantee a maximum efficiency.

These boxes are available for 1, 2 and 4 pairs : the protection printed circuit is removable for easy and fast maintenance (removable protection circuit S180., S280., S480..).

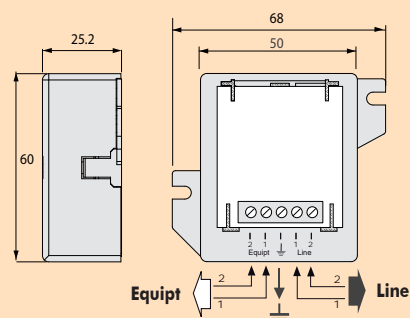
These compact boxes are designed for wall mounting and screw connection. Versions exist for most telephone and datalines.

Special versions are also available for the combined protection of data transmission and remote power lines ( e.g. B480-24D3/A12 : 3 x 24V transmission pairs + 1 x 12Vdc power supply). Consult us.

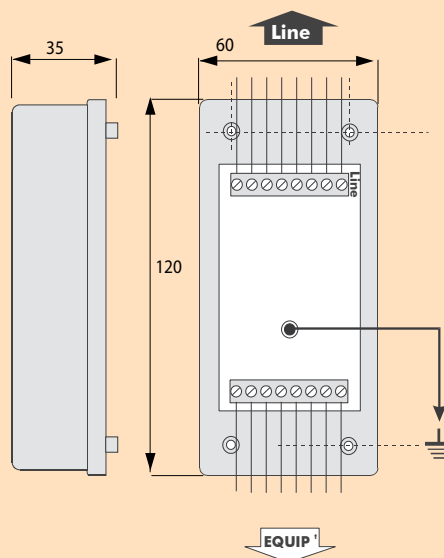
- **1 to 4-pair surge protection boxes**
- **All types of telephone and data lines**
- **Removable protection circuit**
- **Wall mounting and screw connection**

### Dimensions (in mm)

**B180**



**B280-B480**



# 1, 2 and 4-pair Surge Protection Boxes

## B180, B280, B480

### Characteristics

Configuration	CITEL part number					
	B180-T	-	B180-24D3	B180-12D3	B180-06D3	-
<b>1-pair unit</b>	<b>B180-T</b>	-	<b>B180-24D3</b>	<b>B180-12D3</b>	<b>B180-06D3</b>	-
<b>2-pair unit</b>	<b>B280-T</b>	<b>B280-48D3</b>	<b>B280-24D3</b>	<b>B280-12D3</b>	<b>B280-06D3</b>	<b>B280-06DBC</b>
<b>4-pairs unit</b>	<b>B480-T</b>	<b>B480-48D3</b>	<b>B480-24D3</b>	<b>B480-12D3</b>	<b>B480-06D3</b>	<b>B480-06DBC</b>
Application	Telephone line ADSL	ISDN-T0 48 V line	Leased line 4-20 mA	RS232	RS422 RS485	T2 - T1 10BaseT
Configuration protected - B180... - B280... - B480...	1 pair 2 pairs 4 pairs	- 1 channel 2 channels	LS 2 wires / 1 pair LS 4 wires / 2 pairs 2 LS 4 wires/2x2pairs	2 wires 4 wires 8 wires	1 pair 2 pairs 4 pairs/ 2x2 pairs	- 1 channel 2 channels
Nominal line voltage (Un)	150 V	48 V	24 V	12 V	6 V	6 V
Maximum line voltage (Uc)	170 V	53 V	28 V	15 V	8 V	8 V
Minimum clamping voltage	190 V	60 V	35 V	20 V	10 V	15 V
Protection level (Up) 8/20µs impulse - 5 kA	220 V	70 V	40 V	30 V	20 V	25 V
Nominal discharge current (In) 8/20µs impulse - 10 times	5 kA	5 kA	5 kA	5 kA	5 kA	5 kA
Max. discharge current (Imax) 8/20µs impulse - 1 time	20 kA	20 kA	20 kA	20 kA	20 kA	20 kA
Lightning current (Iimp) 10/350µs impulse - 2 times	5 kA	5 kA	5 kA	5 kA	5 kA	5 kA
Type of diagram	A	B	B	B	B	C
End of life	Short-circuit	Short-circuit	Short-circuit	Short-circuit	Short-circuit	Short-circuit

### Mechanical Characteristics

Mounting	wall (screws non included)
Dimensions	see drawings schémas
Wiring	screw terminal - mini/maxi cross section : 0.4/1.5 mm <sup>2</sup>
Housing material	Thermoplastic UL94-V0
Spare circuit	for B180-xx = S180-xx for B280-xx = S280-xx for B480-xx = S480-xx

### Electrical diagram (for 1 pair)

