



# Coaxial network and CATV Surge Protectors

## CXC ,CXP , CNP



C24

CX surge protectors are designed to protect sensitive equipment, connected to coaxial lines as computer networks, video-transmission, against transient surge voltages and disturbances created by lightning. Several versions are available to fit the different networks :

### CXC

Gas tube/Clamping diode hybrid association allowing heavy discharge current and low residual voltage.

These surge protectors are specially well adapted high frequency coaxial transmission as Ethernet 10Base5 or 10Base2, or video-transmissions.

### CXP

Based on single Gas tube protection stage for heavy discharge current and very wide bandwidth (up to 1000 MHz).

Particularly adapted to TV or Radio receivers.

### CNP-90TV

Cost effective version dedicated to TV receptors (Aerial, Cable or Satellite). Based on Gas Tube protection. F type connector in/out.

### CXP-DCB

Version built with extra decoupling line circuit (DC block) to prevent DC or low frequency currents and to improve the residual voltage on surge voltages.

CX surge protectors are built with shielded metallic housings and are available with the main types of coaxial connectors.

### ● Coaxial surge protectors

### ● Multiples diagrams :

- GDT
- GDT/Diodes
- DC Block

### ● Different connectors

### ● Low insertion losses

## Characteristics

CITEL part number	CXC	CNP-90TV	CXP	CXP-DCB
Application	Ethernet 10Base2, Videotransmission	TV Aerial, Satellite or Câble	TV, Radiocom	TV, Radiocom
Bande passante (fmax)	0-70 MHz	0-1000 MHz	0-1000 MHz	125-1000 MHz
Insertion loss @ fmax	< 0.6 dB	< 0.3 dB	< 0.15 dB	< 0.15 dB
Max. line voltage (Uc)	6 V*	75 V	60 V*	60 V*
Protection level (Up) @ In (8/20 μs impulse)	25 V / < 600 V (L-B / B-PE**)	< 600 V	< 600 V	< 200 V
Nominal discharge current (In) 8/20μs impulse - 10 times	2.5 kA / 10 kA (L-B / B-PE**)	2.5 kA / 10 kA (L-B / B-PE)**	10 kA	10 kA
Mechanical characteristics	Tinned Brass housing Cable mounting Dimensions : see diagram Earthing by wire	Plastic+metal housing Frame mounting Dimensions : see diagram Earthing by wire	Tinned Brass housing Frame mounting Dimensions : see diagram Earthing on screw	
Operating temperature	-40/+80°C	-40/+80°C	-40/+80°C	

\*) other voltages available on request

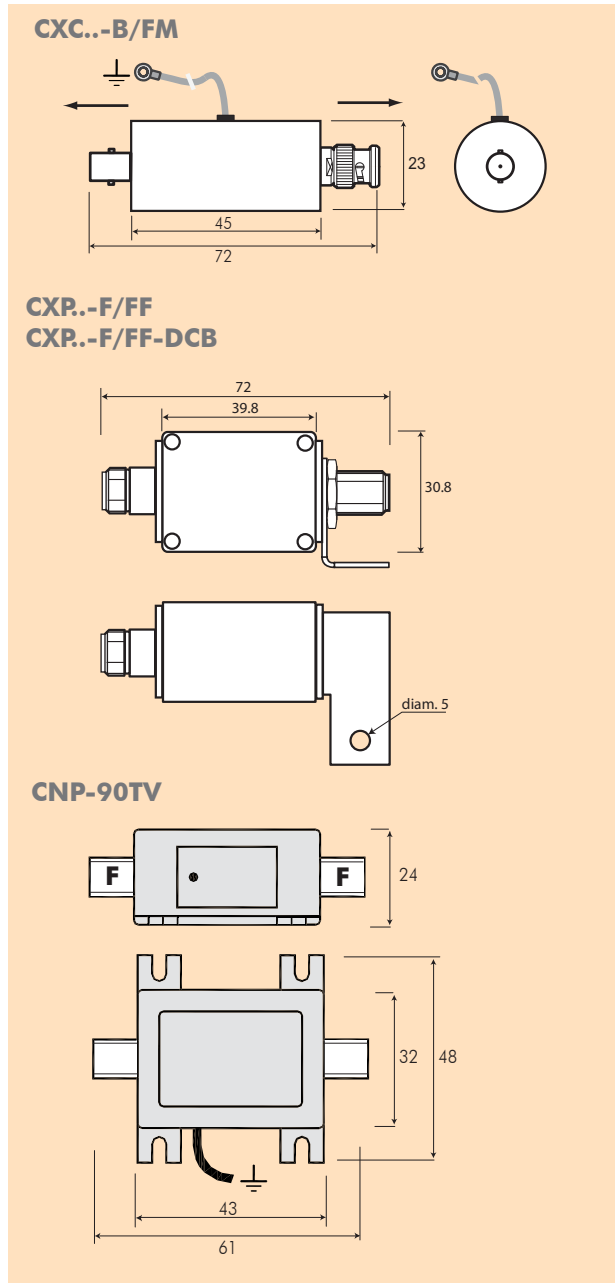
\*\*\*) L-B : Line-Shield / B-PE : Shield-Ground



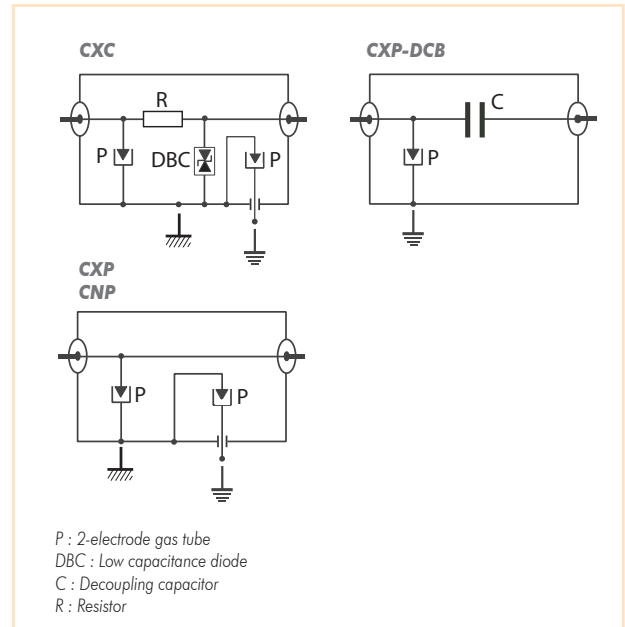
# Coaxial network and CATV Surge Protectors

## CXC , CXP , CXP-DCB , CXD

### Dimensions (in mm)



### Electrical diagram



### Part number

CITEL part number	CXC06*	CXP*	CXP-DCB*	CNP*
F Connector	-	CXP09-F/MF	CXP09-F/MF-DCB	CNP-90TV F/MF
	-	-	CXP09-F/FM-DCB	-
	-	CXP09-F/FF	CXP09-F/FF-DCB	CNP-90TV F/FF
N Connector	-	-	CXP09-NW/MF-DCB	-
	-	-	CXP25-N/MF-DCB	-
	-	-	CXP09-NW/FF-DCB	-
BNC Connector	CXC06-B/MF	CXP09-B/MF	CXP09-B/MF-DCB	CNP-90TV B/MF
	CXC06-B/FM	-	CXP09-B/FM-DCB	-
	CXC06-B/FF	CXP09-B/FF	CXP09-B/FF-DCB	CNP-90TV B/FF

MF : input Male/output Female  
 FM : input Female/output Male  
 FF : input Female/output Female  
 W : Feedthrough mounting  
 \*) others configurations possible on request.