

# Lightning Strike Counter

Monitoring Lightning Strikes assists in determining the need for additional security such as grounding, surge suppression and lightning protection.

## No Maintenance

Requiring no external power supply or internal battery for operation.

## Easy to Install

Uses a 2-wire connection to any metal conductor for lightning voltage detection, conductor dimensions are unimportant.

## Easy to Monitor

Easily viewable from the front, and counts up to 999,999 events.

## Weather Resistant

Includes a NEMA 4X/IP66, UV stabilized polycarbonate enclosure with surface mount flanges, UL94V-0 flame rated and suitable for either indoor or outdoor installation.



**ARE YOU PROTECTED? WE CAN HELP!  
CONTACT US TODAY!**



+1.828.646.9290  
+1.800.203.2658  
(U.S. & Canada Toll Free)



[www.allteccorp.com](http://www.allteccorp.com)



[help@allteccorp.com](mailto:help@allteccorp.com)



64 Catalyst Drive  
Canton, North Carolina 28716 USA  
Tel: +1.828.646.9290  
+1.800.203.2658 (US and Canada Toll Free)  
Fax: +1.828.646.9527

For more information on Alltec's Lightning Strike Counter,  
visit [www.allteccorp.com/lsc.php](http://www.allteccorp.com/lsc.php)

## Installation

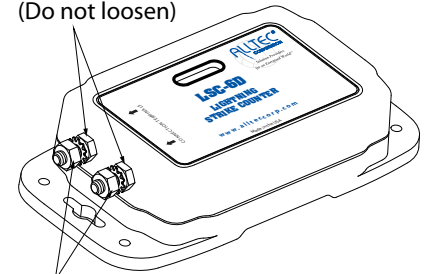
The LSC-6D stud connections should be electrically attached to the tower using 14 AWG (2.5mm<sup>2</sup>) insulated wire and be separated by approximately 8.0 ft (2.4m). The inductive voltage drop due to a lightning strike will actuate the counter. A log should be kept to record the date and counter reading. To test your counter, voltage may be momentarily applied using a 9V battery in either polarity to actuate the stud connection circuit.

The LSC-6D requires a 0.5  $\mu$ H inductance shunt (approximately 8.0 ft conductor length) to count nature's smallest lightning strike (3 kA). This inductance can be in the form of a wire length, tower, or pipe segment. To calculate, use the following approximations:

- 0.3  $\mu$ H per foot per wire
- 0.067  $\mu$ H per foot for triangular tower leg
- 0.150  $\mu$ H per foot for  $\geq$  6" pipe

The LSC-6D conductors must be in direct contact with the metallic wire or structure being monitored. Clean, sand, or pierce as required.

Sealing nuts adjacent to enclosure  
(Do not loosen)



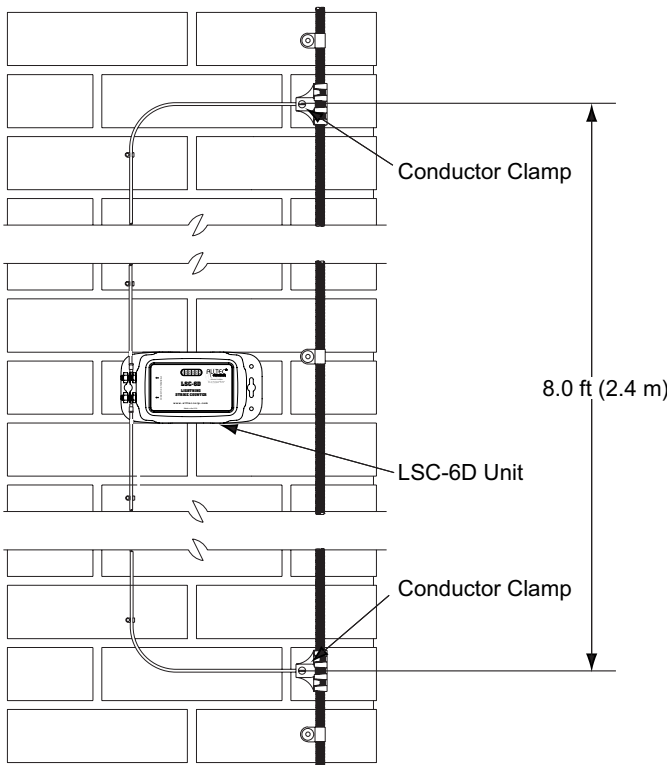
Installation nuts & lock washers

**NOTE:** No user serviceable parts inside.  
Do not loosen sealing nuts.

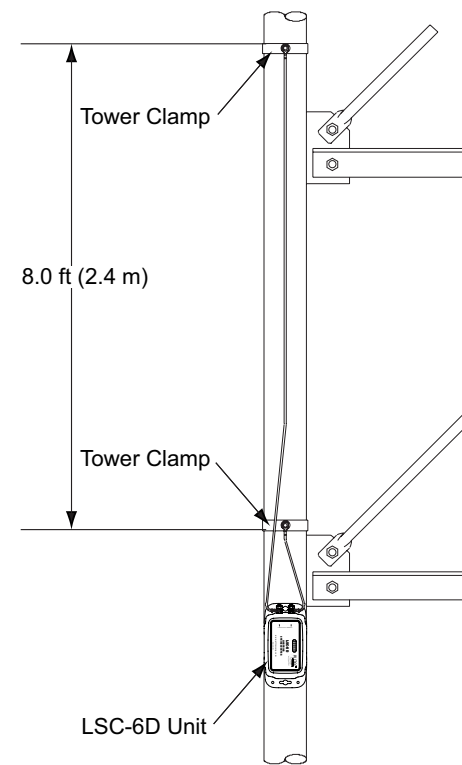
## Size

Width 5.5" X Height 3.5" X Depth 1.5"  
(W139.7mm X H88.9mm X D38.1mm)

### Building Model



### Tower Model



### WORLD HEADQUARTERS

64 Catalyst Drive,  
Canton, North Carolina 28716 USA  
Tel: +1.828.646.9290  
Fax: +1.828.646.9527  
Email: sales@allteccorp.com



### ALLTEC SOUTH ASIA REGIONAL HEADQUARTERS

No 4-1A, Jalan Medan Bukit Indah 3, Taman Bukit Indah 68000  
Ampang, Selangor Malaysia  
Tel: +603.4294.0187  
Fax: +603.4217.1187  
Email: info@alltec.com.my  
www.alltec.com.my



### INDIA BRANCH OFFICE

India Branch Office, 613-A, Ansal Chamber-II, Bhikaji Cama Place,  
New Delhi-110066 India  
Tel: +91.93.111.40899  
Email: india@allteccorp.com

**For more information, contact your nearest office  
or visit [www.allteccorp.com](http://www.allteccorp.com)**